
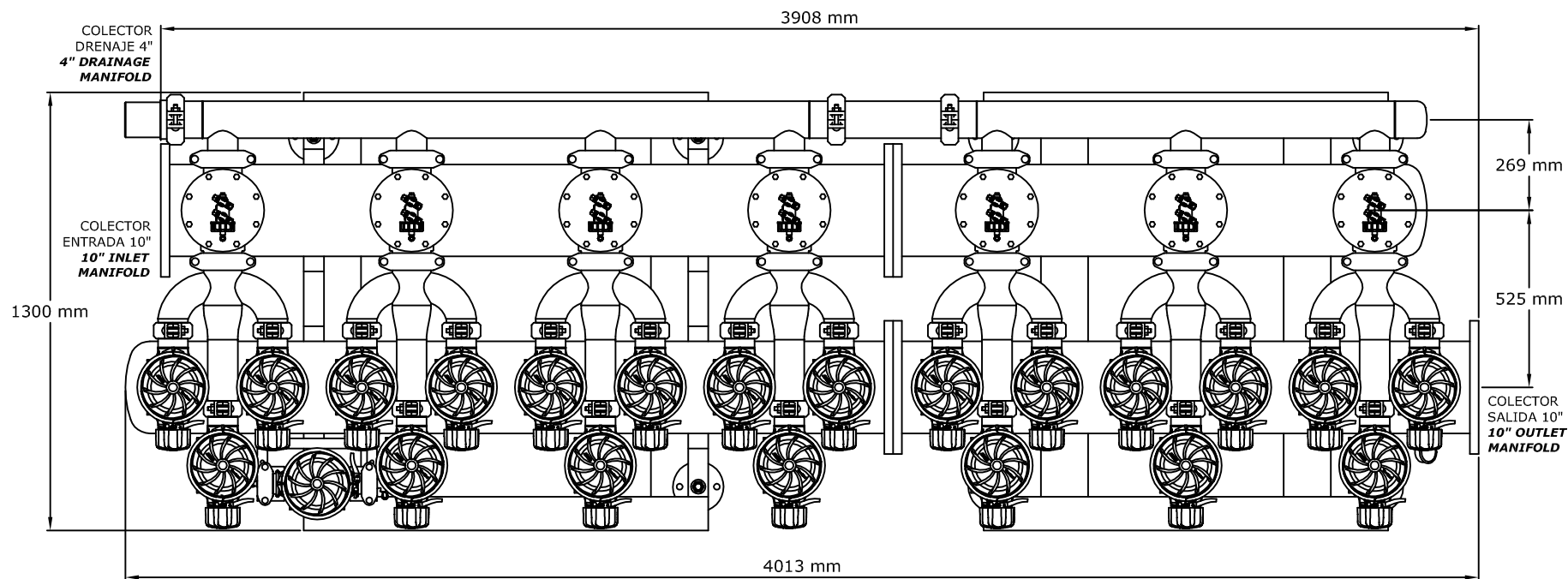


AZUD HELIX AUTOMATIC 407L/10FE

| | | | |
|---------------------------|---|-----------------------|---|
| SCALE S/E A4 FORMAT | MATERIAL: HDPE | RESPONS.: M. Martínez |  |
| | UNITS: mm. | PROYECT: | |
| | FILE: Alzado Azud helix automatic 407L-10FE.dwg | 21/AUGUST/2009 | |

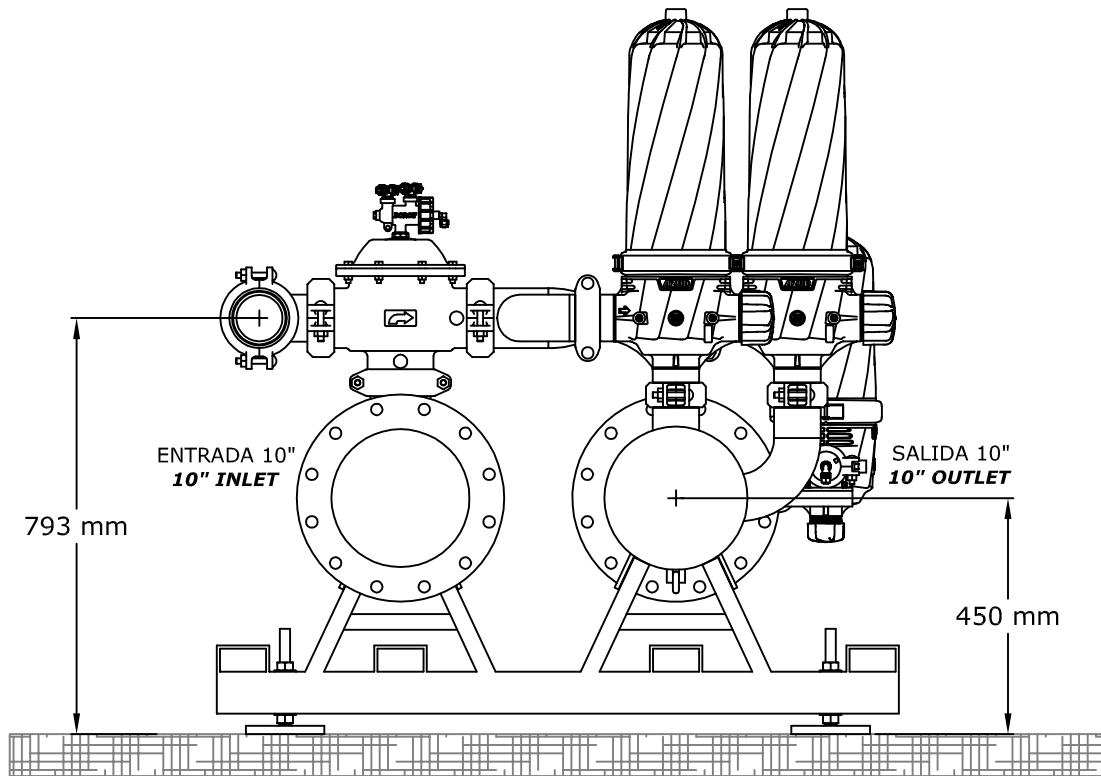
THE PRESENT REVISION CANCELS THE PREVIOUS ONES. THE PERSON RESPONSABLE OF THIS DRAWING IS UNCONNECTED WITH THE HARMS PRODUCED FOR AN IMPROPER USE OF THE CANCELLED REVISIONS.
 LA PRESENTE REVISIÓN ANULA LAS ANTERIORES. EL RESPONSABLE DE ESTE PLANO ES AJENO A LOS PERJUICIOS OCASIONADOS POR EL USO INDEBIDO DE REVISIONES ANULADAS.




AZUD HELIX AUTOMATIC 407L/10FE

| | | |
|---------------------------|---|-----------------------|
| SCALE S/E A4 FORMAT | MATERIAL: HDPE | RESPONS.: M. Martínez |
| | UNITS: mm. | PROYECT: |
| | FILE: Planta Azud helix automatic 407L-10FE.dwg | 24/AUGUST/2009 |





AZUD HELIX AUTOMATIC 407L/10FX

| | | | |
|-----------|---|-----------------------|---|
| SCALE | MATERIAL: HDPE | RESPONS.: M. Martínez |  |
| S/E | UNITS: mm. | PROYECT: | |
| A4 FORMAT | FILE: Perfil Azud helix automatic 407L-10fx.dwg | 24/AUGUST/2009 | |